

Wib145_vHE

High End Wideband.



The Wib145_vHE is a High-End wideband able to reproduce the bandwidth from 45Hz to 20 000Hz.

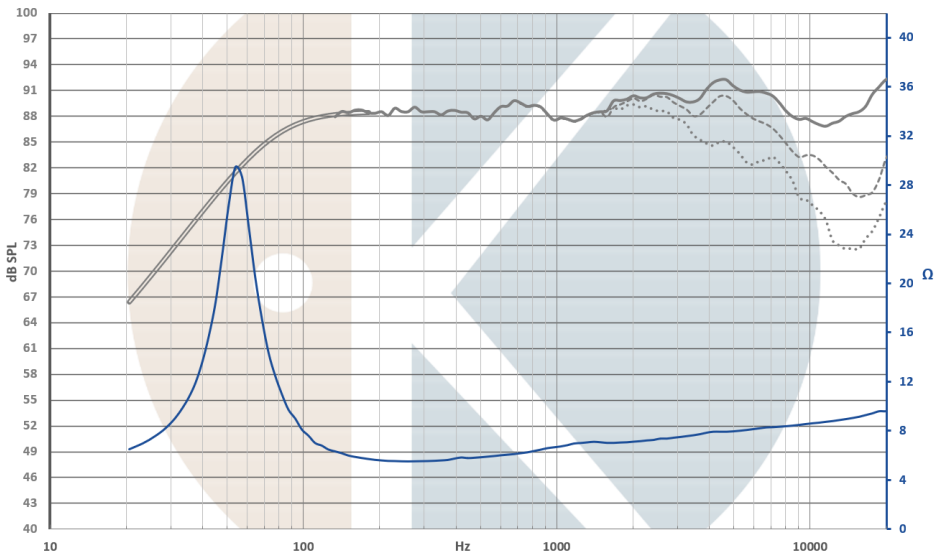
Wib145_vHE is one of the very rare wideband using an underhung voice coil to ally very low moving mass (8.5g) and pure linear motion over +/-6mm. Thanks to this technology, it becomes possible to play accurate low frequency and detailed high frequency.

The motor structure uses 2x high grade NdFeB magnets and a long cooper ring to reduce inductance at 0.04mH at 1kHz, which is comparable with tweeters.

The cone is made of CGF to offer optimal damping and avoid excessive lagging in the midband frequencies.

The dust cap is an inverted Aluminium dome, directly attached on the voice coil Titanium former.

Wib145_vHE has a Qts at 0.52 to work in many acoustic loading: sealed, vented, passive radiator or transmission line.



On IEC baffle / Distance: 1m / Signal input: 2,83V / Dash curves: 20° & 40°
Impedance measured in free air / Smoothing: 1/12 Octave
Curve below 150Hz is simulated in 10L sealed enclosure, (Fsc = 80Hz / Qtc= 0.74)

Wib145_vHE

Our products can be adapted to your technical requirements and brand spirit.

www.Kartesian-acoustic.com - Engineered and produced in France



Advanced construction

Membrane
CGF cone with specific damping
Aluminum dust cap (0.035mm Thickness)

Suspension
Low lost NBR surround
dynamik spider

Voice coil:
Underhung, $\varnothing 26\text{mm}$, 1 layer, Cu ribbon
Titanium former

Motor structure:
2x high-grade NdFeB magnets (N48H)
Demodulated by Cooper ring
Optimized and vented pole pieces design
Very low carbon steel

Frame
Injected aluminum
Vented spider

T&S

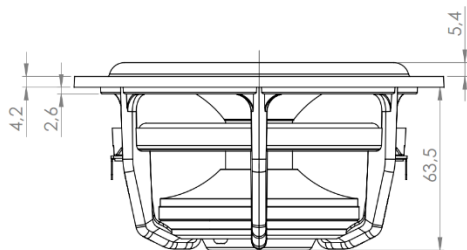
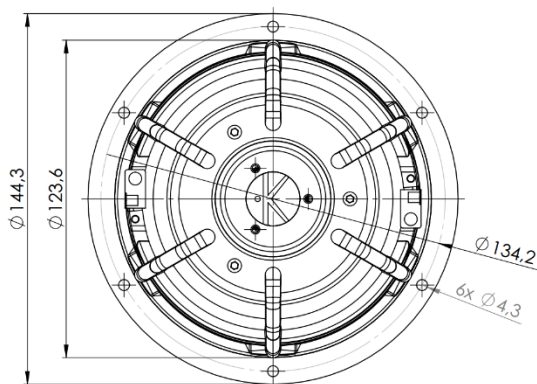
Fs 56Hz
SPL 89dB/2.8V/1m
Re 4.8 Ω

Qms 5.6
Qts 0.52
Bl 5N/A

VAS 9.7L
Mms 8.5g
Sd 85cm²

Linear excursion: +/-6 mm
Maximal excursion: +/-8mm

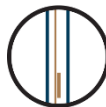
Nominal power: 60W
Maximal power handling: 100W



Integrated innovation



.Konstant Le(X)



.Konstant Bl(X)



.Kombo magnets



.Kompund CGF



.dynamik spider

Visit our website to discover our innovation

Wib145_vHE

Our products can be adapted to your technical requirements and brand spirit.

www.Kartesian-acoustic.com - Engineered and produced in France



Suggested loudspeaker design: Kapella-5

Kapella-5 is a compact floor stand dedicated to DIYers community. Its height (890mm) and its very low profile (150mm), make Kapella-5 easy to integrate in your living room, providing natural sounding with affordable low frequency extension.

Kapella-5 is suitable for rooms from 10m² to 25m², in association with 20W to 80W amplifier.

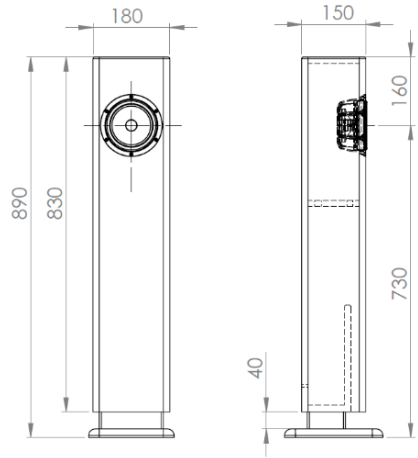
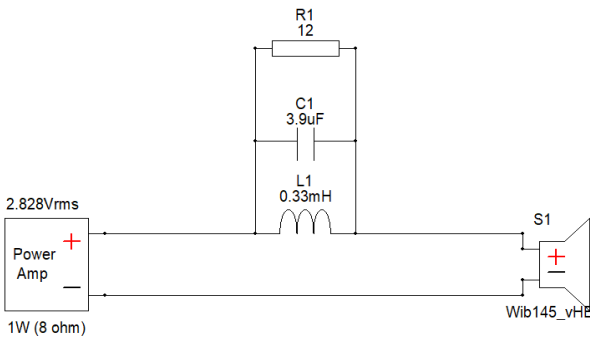


Suggested finish

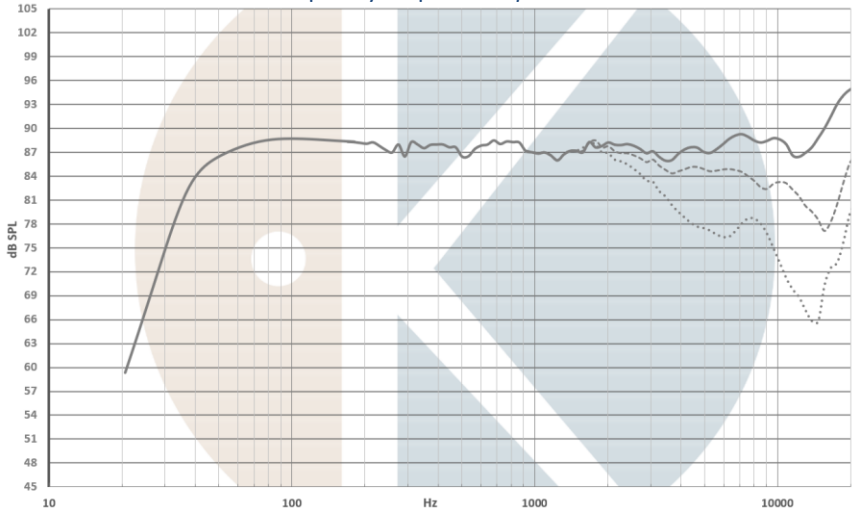
In order to smooth the frequency response in the upper midband, we highly recommend to built the basic cut-band” filter, made of 3 components, as below.

The drawing related with wood enclosure is detailed in separate sheet.

Passive filter Kapella-5



Frequency response Kapella-5



Frequency response Kapella-5 / Distance: 1m / Signal input: 2,83V / Dash curves: 20° & 40°
Curve below 150Hz is simulated in Kapella-5 enclosure (15L vented enclosure tuning frequency 45Hz)

Wib145_vHE

Our products can be adapted to your technical requirements and brand spirit.

www.Kartesian-acoustic.com - Engineered and produced in France



All rights reserved. Passing on and copying of this document, use and communication of its contents not permitted without written authorization from .Kartesian Company